

MODEL B-12 PARTS LIST

PRECISION APPARATUS

DIVISION OF DYNASCAN CORPORATION

SCHEMATIC SYMBOL	DESCRIPTION	DYNASCAN PART No.
------------------	-------------	-------------------

CAPACITORS

C-1, 2	20-20 Mfd. @ 350 volt electrolytic with mtg. bracket	16-305
--------	--	--------

RESISTORS — CONTROLS

R-14	200K ohm 10% type W taper potentiometer (bias)	17-240
R-16	1 meg ohm 30% twist prong potentiometer	17-238
R-18	1 meg ohm 30% potentiometer (Regulator output)	17-210A
R-19	500K ohm 30% twist prong potentiometer (400 volt cal.)	17-239
R-24	200K ohm 1/2 watt 1% deposited carbon resistor ..	002-102-3-204
R-25	400K ohm 1/2 watt 1% deposited carbon resistor ..	15-342

TUBES

V-1	GZ34/5AR4 vacuum tube	19-172
V-2, 3	6L6 vacuum tube	19-171
V-4	6AU6 vacuum tube	19-128-1
V-5	6X4 vacuum tube	235-062-4-004
V-6	OB2 vacuum tube	19-121
V-7	OA2 vacuum tube	19-173

SWITCHES

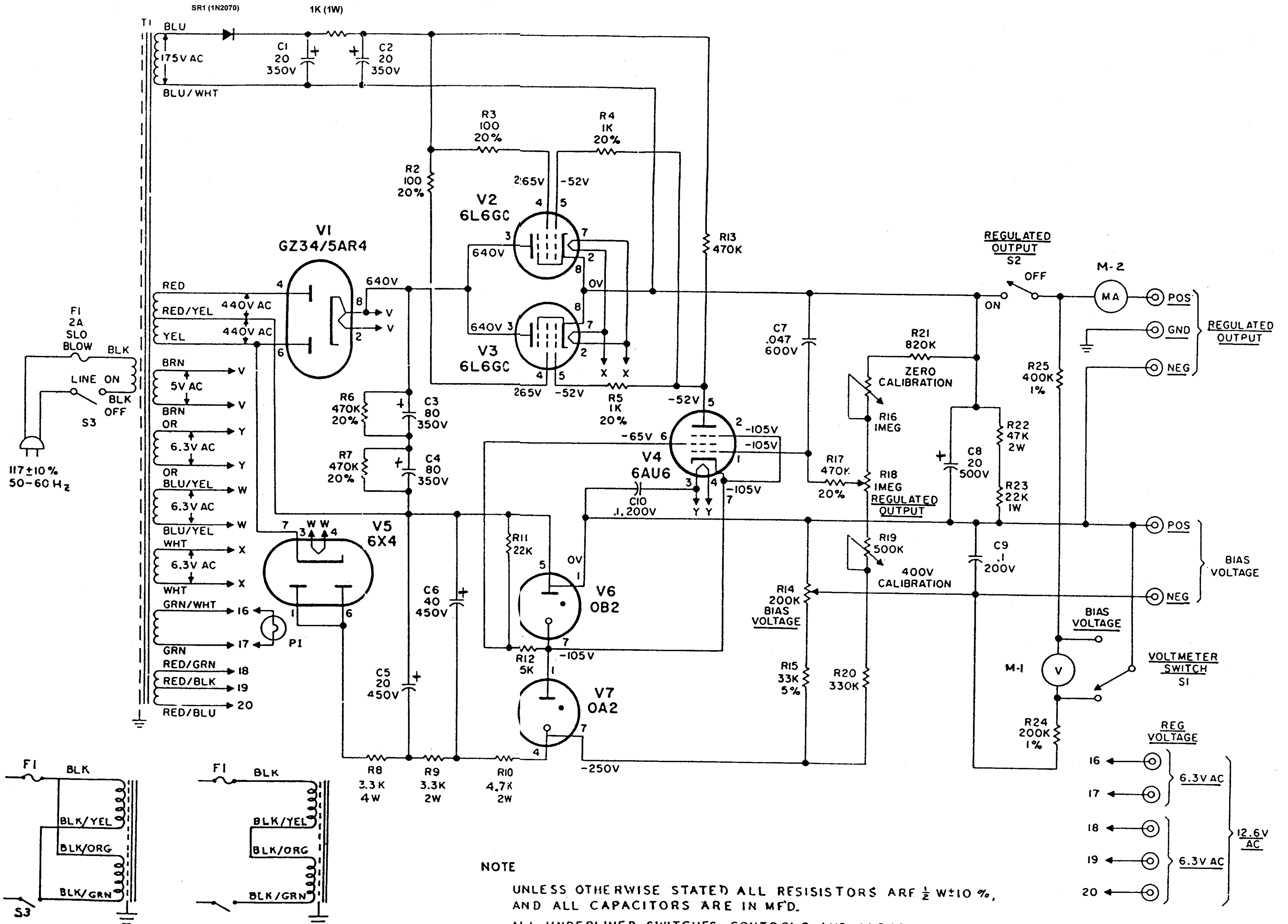
S-1	SPDT Slide switch	084-001-9-001
S-2, 3	SPST toggle switch with hardware	14-151-1

MISCELLANEOUS

T-1	Power Transformer 117/230 v.	065-051-9-001
T-1	Power Transformer 117 v. only	18-224C
SR-1	500 ma @ 500 PIV silicon diode	112-501-0-501
F-1	Fuse, 2 amp. Slo-blo 125 volt	19-174
	Case, with handle and feet	S-2903
M-1	Voltmeter	320-012-9-001
M-2	Milliammeter	320-012-9-002
	Line cord	420-001-9-009
	Instruction Manual	480-076-9-001
	Carton and fillers (503-021-9-001)	500-124-9-001
	Knob, black	751-010-9-001
	Red binding post	20-189-1
	Black binding post	20-189
	Universal binding post	20-111

Minimum charge \$2.00 per invoice. Orders will be shipped C.O.D. unless previous open account arrangements have been made or remittance accompanies order. Advance remittance must cover postage or express.

SPECIFY SERIAL # WHEN ORDERING REPLACEMENT PARTS



T1 117/234V 50/60Hz
TRANSFORMER
WIRING FOR 117 V
LINE OPERATION

T1 117/234V 50/60 Hz
TRANSFORMER
WIRING FOR 234 V
LINE OPERATION

NOTE
UNLESS OTHERWISE STATED ALL RESISTORS ARE 1/2 W±10%,
AND ALL CAPACITORS ARE IN MFD.
ALL UNDERLINED SWITCHES, CONTROLS AND JACKS
ARE ON THE FRONT PANEL
LAST "R" #24
LAST "C" #9

Precision Apparatus
High Voltage Power Supply
Model B-12

K4XL's **BAMA**

This manual is provided **FREE OF CHARGE** from the “BoatAnchor Manual Archive” as a service to the Boatanchor community.

It was uploaded by someone who wanted to help you repair and maintain your equipment.

If you paid anyone other than BAMA for this manual, you paid someone who is making a profit from the free labor of others without asking their permission.

You may pass on copies of this manual to anyone who needs it. But do it without charge.

Thousands of files are available without charge from BAMA. Visit us at <http://bama.sbc.edu>